



**Electrical data (according to IEC 60947-3)**

**Thermal current I<sub>th</sub> (-30 to 50 °C) 125A**

Rated insulation voltage U<sub>i</sub> (V) 1000  
 Rated impulse withstand voltage U<sub>imp</sub> (kV) 8

AC Rated operational current I <sub>e</sub> (A)		
Voltage (C)	Category of operation	I <sub>e</sub>
400 V	AC21A	125
	AC22A	125
500 V	AC21A	125
	AC22A	125

*\*\* Please consult for other voltages and/or category of operation*

Standards. IEC 60947-1 & 3

Quality Telergon, S.A.U.

ISO 9001 & 14001



**Short-circuit behaviour**

Short-circuit making capacity (peak value)	I <sub>cm</sub>	13kA
Short-time withstand current (1 sec) (rms)	I <sub>cw</sub>	7kA
Conditional short-circuit current (rms value)		100kA
Maximum cut-off current (peak value)		17kA

Testing as per IEC 60947-3. Approvals

Austrian Institute of Technology



**Connection capacity**

Bar (Thickness / Width) (mm)	5/25
Rigid cable (mm <sup>2</sup> )	95
Max. Connecting copper bar (mm)	25
Tightening torque (N·m)	4/13

**Mechanical data**

Minimum number of operations (as per standard) without load	30000
Maximum weight (4 pole molded case) (kg)	1,8/2,1

**Codes**

Case size (A)	Poles	Code	Code for direct handle
Size 0	3P	S5F01253PS0	D5LEI01 / D5LSI01 (new)
Size 0	4P(3P+N)	S5F01253NS0	D5LEI01 / D5LSI01 (new)

**Accessories**

Panel handle	D5LEN01	D5LLA01 (new)
Auxiliary contact	DS-AU11	(1N0 + 1NC)
	DS-AU12	(2N0 + 2NC)

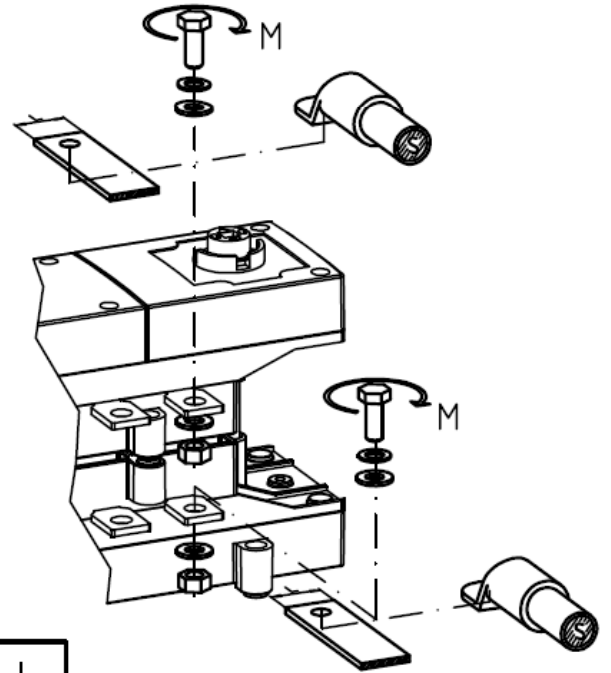
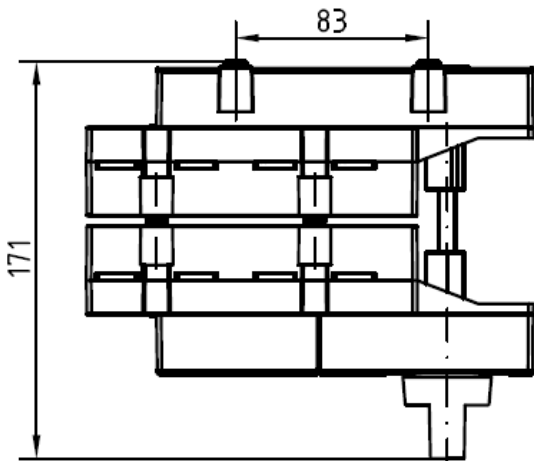
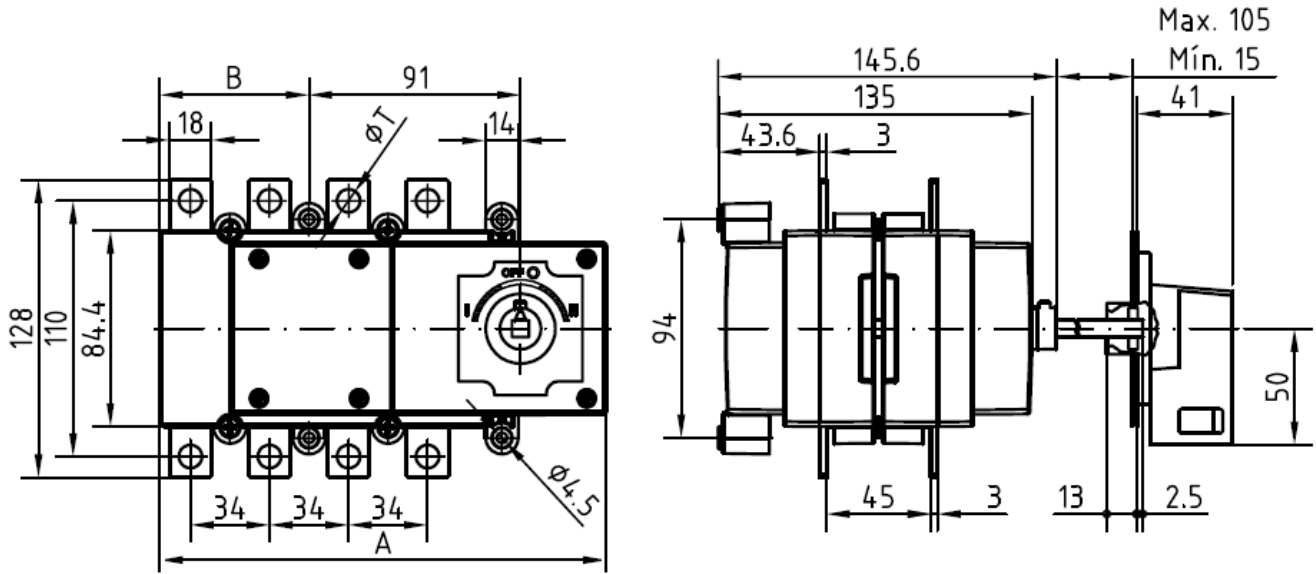
You will find detailed information about our products on our web site [www.telergon.es](http://www.telergon.es)

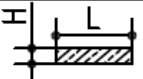


**AC Changeover Switch**  
**S5F01253PS0**  
**S5F01253NS0**

TELERGON, S.A.U.  
 Data subject to change without notice (printed: 05/04/2013)

# Dimensions



S5000F	$I_{th}$	A		B		$\phi T$	M N×m	S max. (Cu) mm <sup>2</sup>		
		3P	4P	3P	4P				H max. (Cu) mm	L max. (Cu) mm
0	125 A	181	192	53	64	M8	13	95	5	25

You will find detailed information about our products on our web site [www.telergon.es](http://www.telergon.es)



**AC Changeover Switch**  
**S5F01253PS0**  
**S5F01253NS0**

TELERGON, S.A.U.  
 Data subject to change without  
 notice (printed: 05/04/2013)